



DESCRIPTION

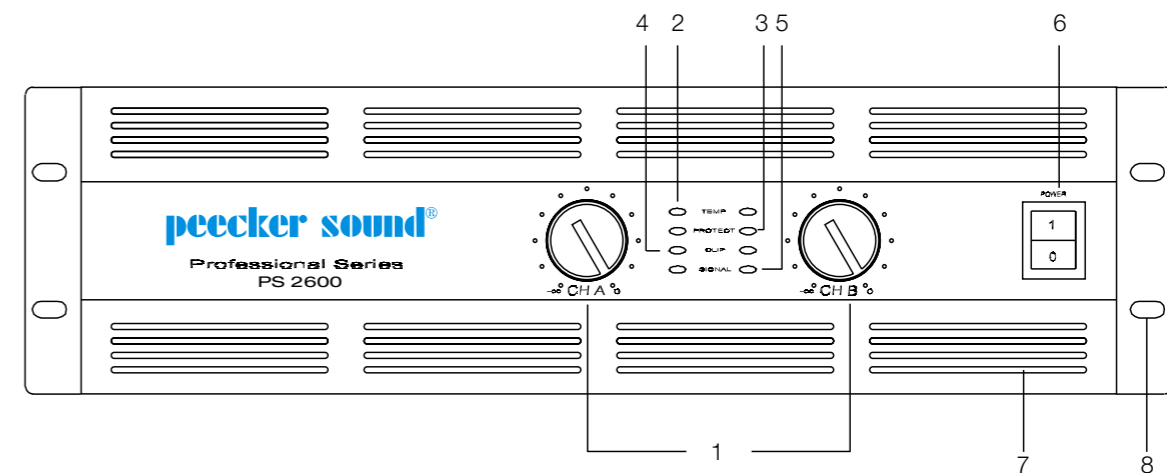
The PS2600 model is a *two-channel* stereo amplifier with a power delivery capability of 1300 W per channel at 4 Ω. All amplifiers in the Professional Series line have been designed for the specific requirements of the world of professional audio, according to criteria of maximum reliability and ease of use. Power delivery remains constant even at high loads, with low heat dissipation and high performance thanks to low-leakage toroidal transformers, which provide an extra margin above the stated nominal output. Each of the power stages is completely independent in terms of both electrical and heat protections since each channel has its own heat sink and independent temperature control acting directly on the cooling fan. The signal is constantly monitored through a LED control on the front panel of the amplifier. An internal limiter provides loudspeaker system protection against damage caused by signal distortion. Cutting-edge electronic parts and high-level circuit engineering guarantee top efficiency standards. Thanks to its rigid chassis, the amplifier can withstand even the toughest fixed installation, guaranteeing maximum reliability at all times and under any operating conditions.

FEATURES

- High electro-mechanical efficiency and reliability
- Class AB output circuitry
- Automatic *Soft Clip Limiter*
- Complete protection systems
- *Cannon® XLR* inputs
- *Neutrik® SpeakON* outputs
- Forced air ventilation and maximum heat dissipation
- Designed for 19" rack unit installation (3 RU).

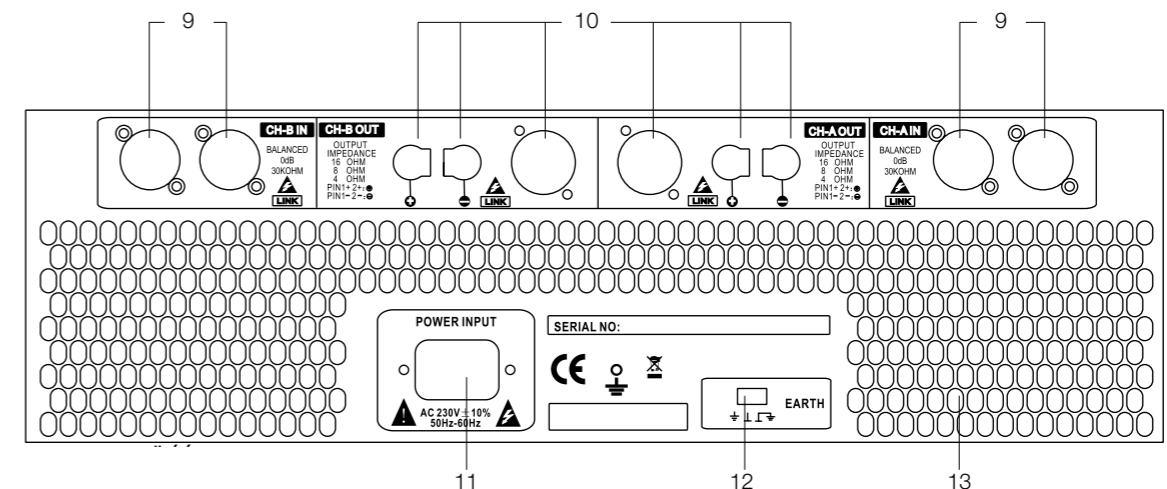
TECHNICAL SPECIFICATIONS	
Power Output (per channel)	
8 Ω	850 W*
4 Ω	1300 W*
* EIA 1 kHz - 1% THD, both ch.s driven @ 230 VAC	
Frequency Response	20 Hz ÷ 20 kHz (± 0.5 dB)
SNR	> 100 dB
Distortion (THD+N)	< 0.1% (@ 1 kHz)
Level adjustment (per channel)	-∞ ÷ 0 dB
Input Impedance	30 kΩ, electronically balanced
Input Sensitivity	0 dBu
Crosstalk	> 50 dB
Phase Response	-18° (@ 20 Hz) +25° (@ 20 kHz)
Damping Factor	> 200 (@ 8 Ω, 1 kHz)
Input Connectors (per channel)	3-pin Cannon® XLR
Output Connectors (per channel)	Neutrik® speakON, screw terminals
Controls	Front: power switch, ChA/ChB gain potentiometers Rear: ground lift switch
Led Indicators	Temperature, Protect, Signal/Clip, Bridge
Amplifier Protections	overload, full short circuit, thermal, ultrasonic and radio frequency immunity
Load Protections	soft-start, soft clip limiter, DC-fault
Circuitry	class AB
Cooling	front to rear air flow, fan speed in function of temperature
Power Requirements	230 VAC (± 10%), 50/60 Hz
Dimensions (WxHxD)	483 (19") × 132 (3 RU) × 488 mm
Net Weight	32 kg
Approvals	CE EN55103-1 (Emissions), CE EN55103-2 (Immunity), CE EN6065, Class I (Safety)

FRONT PANEL



1. **CHA/CHB** – Precision level control for each channel.
2. **Temp** – LED indicator that lights up when the overheat protection is tripped, for each channel.
3. **Protect** – LED indicator that lights up when the output overload or short circuit protection is tripped, for each channel.
4. **Clip** – LED indicator for signal clip point for each channel.
5. **Signal** – LED indicator showing the presence of an input signal for each channel.
6. **Power** – ON/OFF switch.
7. Ventilation grille.
8. Holes for standard rack assembly.

REAR PANEL



9. **CHA IN/CHB IN** - Input with *Cannon® XLR* connectors for the two channels and outputs to set up the loop through.
10. **CHA OUT/CHB OUT** - Outputs with *Neutrik® SpeakON* connectors and screw terminals.
11. **Power Input** – IEC 3-pin power supply connector.
12. **Earth** - Ground lift switch that allows connection-disconnection of electrical earth to/from mechanical earth.
13. Ventilation grille.